

KAWASAKI Z400 '19-

MOUNTING INSTRUCTIONS

REF 3554

QUILLA ADAPTABLE / ENGINE SPOILER / BUGSPOILER



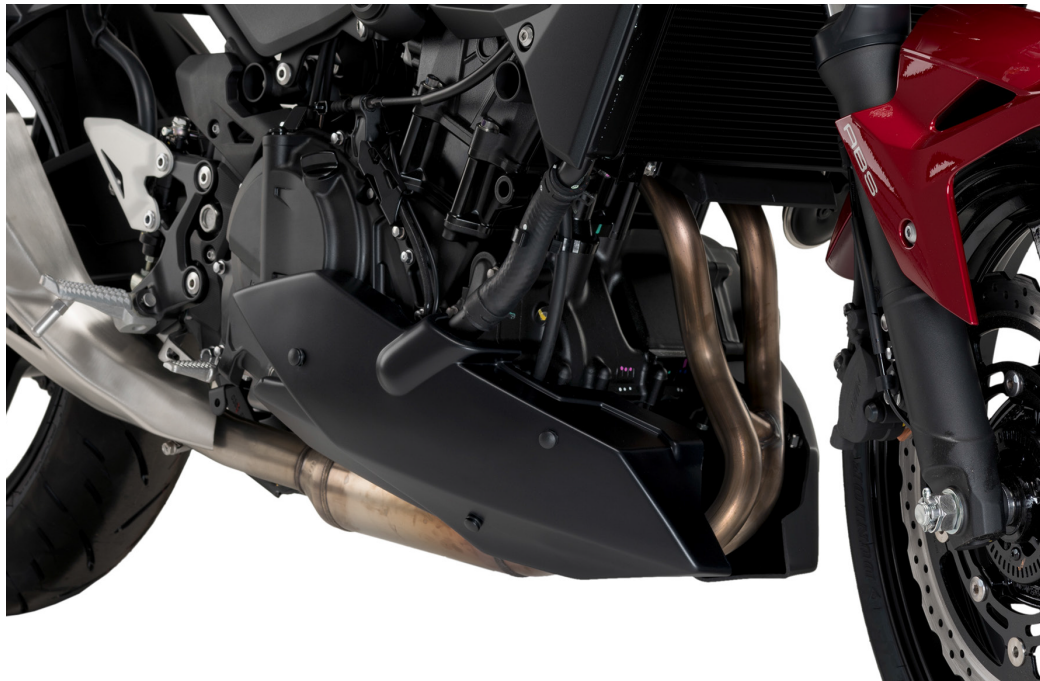
1 Person



30 min



EASY



RATCHET



Nº 8

ALLEN



Nº 3

| ID. | PIEZA/PART | DESCRIPCIÓN | DESCRIPTION | QTY. | REF.: |
|-----|------------|---|--------------------------------|------|-----------------|
| 1 | | Quilla derecha | Right engine spoiler | 1 | 3554J/CM3 |
| 2 | | Quilla izquierda | Left engine spoiler | 1 | 3554J/CM3 |
| 3 | | Soporte izquierdo | Left support | 1 | SOPOR2P5-L-3554 |
| 4 | | Soporte derecho | Right support | 1 | SOPOR2P5-R-3554 |
| 5 | | Tuerca enjaulada de aluminio M5 (Se suministra montada) | Lock nut M5 (Supplied mounted) | 6 | TUERCAJFM5-0373 |
| 6 | | Tornillo Allen M5x16 Ø11 ISO 7380 | M5x16 Ø11 ISO 7380 Allen Screw | 6 | TORNI-I7380-493 |
| 7 | | Silentblock Ø12xØ6x9 | Ø12xØ6x9 silentblock | 6 | AROPASACABLES-1 |
| 8 | | casquillo con valona Ø12xØ6,8x7,3 | Ø12xØ6,8x7,3 bush with flange | 6 | CASQUI-1A---750 |
| 9 | | Tapon M5 ISO 7380 | M5 ISO7380 screw cap | 6 | TAPON-----85 |

KAWASAKI Z400 '19-

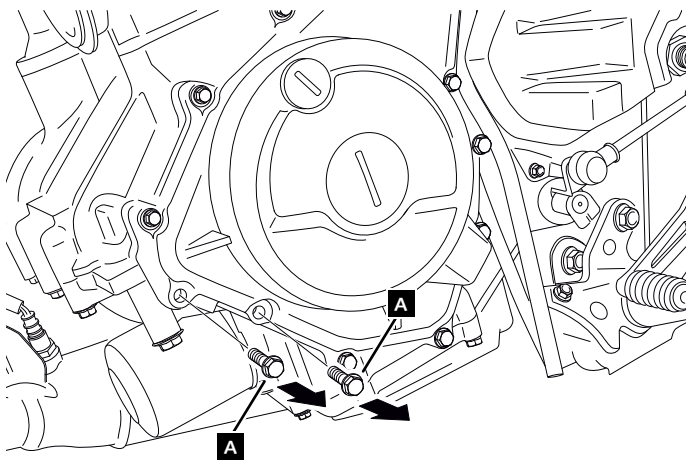
INSTRUCCIONES DE MONTAJE - MOUNTING INSTRUCTIONS - MONTAGEANLEITUNG

1

LADO IZQUIERDO - LEFT SIDE - LINKE SEITE

**DISASSEMBLY
DESMONTAJE**

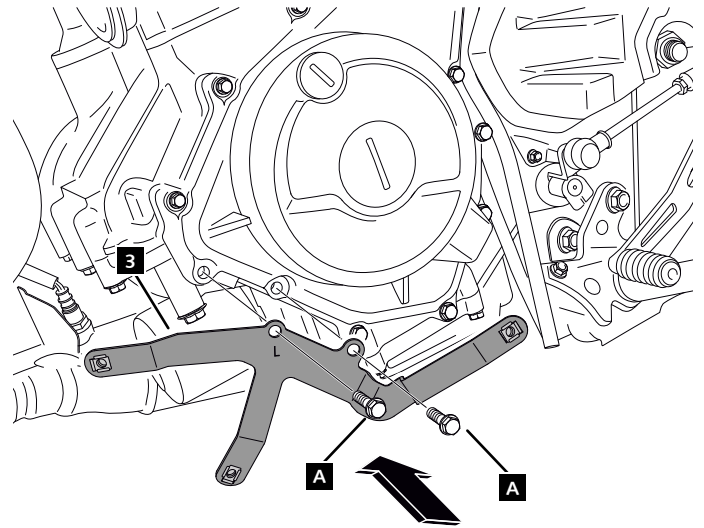
A Tornillería original
Original screws



2

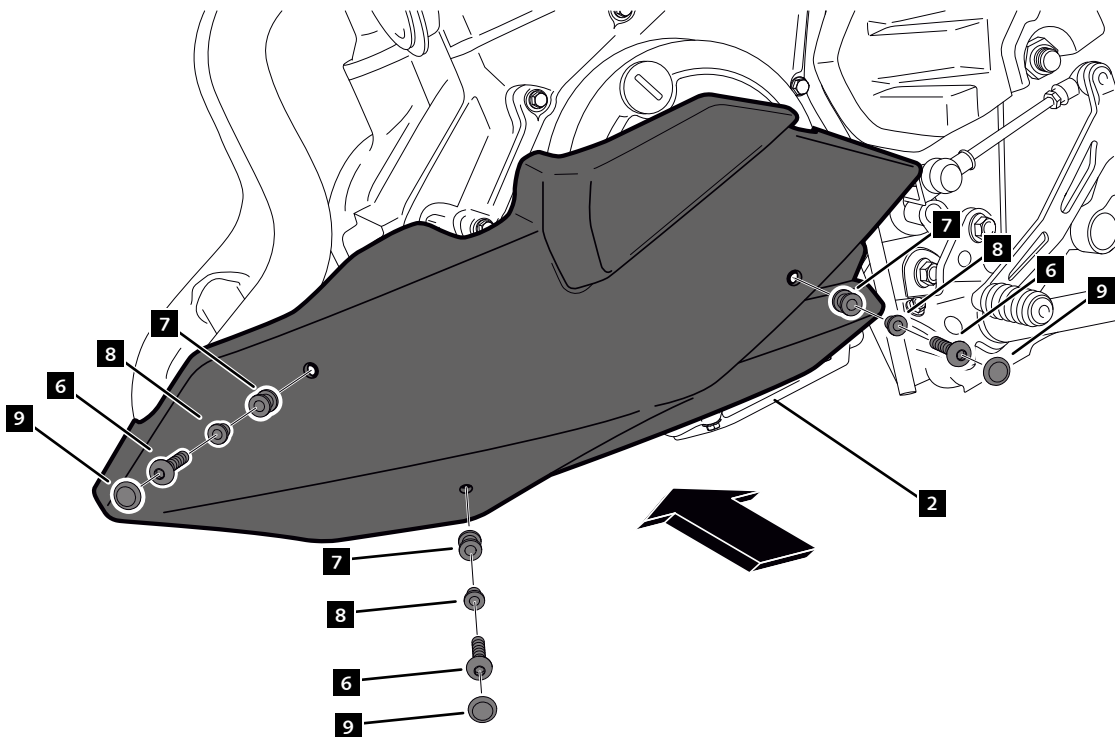
**ASSEMBLY
MONTAJE**

A Tornillería original
Original screws



3

**ASSEMBLY
MONTAJE**



KAWASAKI Z400 '19-

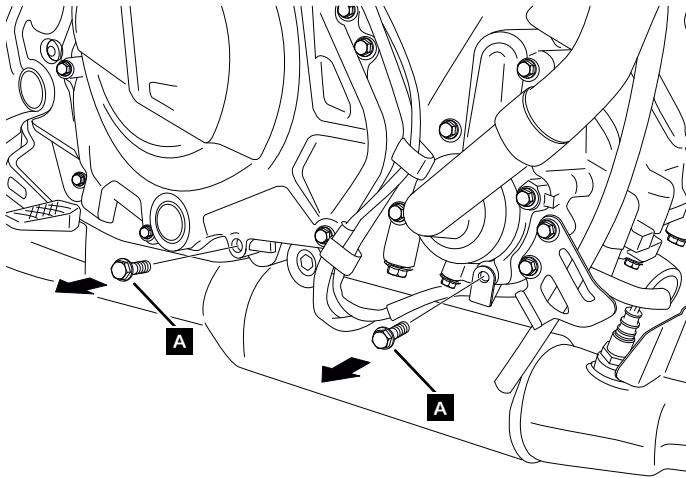
INSTRUCCIONES DE MONTAJE - MOUNTING INSTRUCTIONS - MONTAGEANLEITUNG

4

LADO DERECHO - RIGHT SIDE - RECHTE SEITE

**DISASSEMBLY
DESMONTAJE**

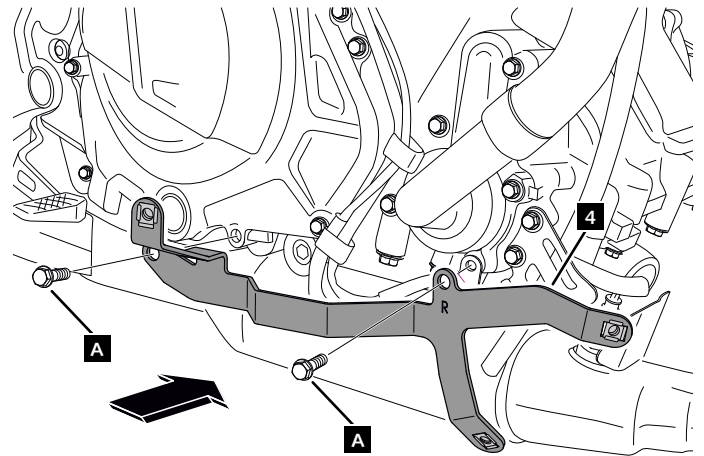
A Tornillería original
Original screws



5

**ASSEMBLY
MONTAJE**

A Tornillería original
Original screws



6

**ASSEMBLY
MONTAJE**

