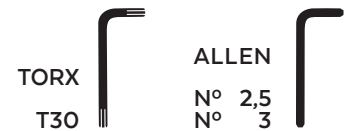


KTM 790 ADVENTURE '19- / R '19- / 890 ADVENTURE '21-

M O U N T I N G I N S T R U C T I O N S

REF 20504

M.E.M. (MANUAL ELEVATION MECHANISM) FOR SCREENS



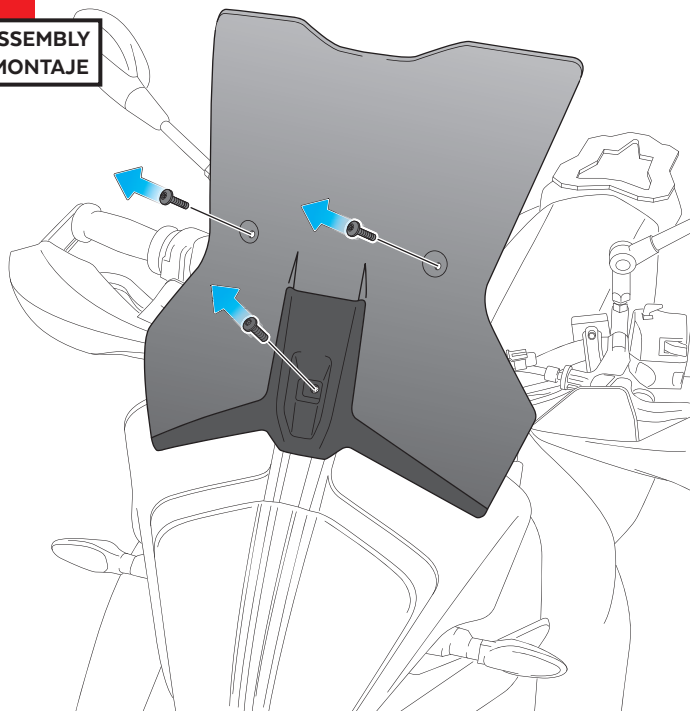
ID	PIEZA/PART	DESCRIPCIÓN	DESCRIPTION	QTY	REF
1		Guías	Guides	2	SOP12P11-V20504
2		Soporte cúpula izquierdo	Left screen support	1	SOP12P11SL20504
3		Soporte cúpula derecho	Right screen suport	1	SOP12P11SR20504
4		Soporte inferior	Lower support	1	SOP12P11-L20504
5		Soporte central	Central support	1	SOP12P11-C20504
6		Soporte varilla izquierdo	Left guide support	1	SOP12P11GL20504
7		Soporte varilla derecho	Right guide suport	1	SOP12P11GR20504
8		Soporte palanca izquierdo	Left lever support	1	SOP12P11LL20504
9		Soporte palanca derecho	Right lever suport	1	SOP12P11LR20504
10		Soporte unión palanca-cupula izquierdo	Left screen-lever support	1	SOP12P11PL20504
11		Soporte unión palanca-cupula derecho	Right screen-lever support	1	SOP12P11PR20504
12		Casquillo nylon superior (washer A)	Upper nylon bush (washer A)	2	CASQUI-----851
13		Casquillo nylon inferior (washer B)	Lower nylon bush (washer B)	2	CASQUI-----852
14		Casquillo Ø4,3x Ø8 x2,5	Ø4,3x Ø8 x2,5 spacer	2	CASQUI-----3732
15		Tornillo Allen M4x12 Ø9 ISO7380	M4x12 Ø9 ISO7380 Allen screw	2	TORNI-I7380-800
16		Tornillo Allen M4x10 ISO7380	M4x10 ISO7380 Allen screw	4	TORNI-I7380-645
17		Tornillo Allen M4x8 ISO7380	M4x8 ISO7380 Allen screw	4	TORNI-I7380-757
18		Tuerca M4 autoblocante	M4 nut	2	TUERCAE985-0290
19		Tapón tuerca M4	M4 nut cap	2	TAPON-----91
20		Arandela Grower M4 DINI27/B	M4 DINI27/B Grower washer	4	ARAND-----854
21		Tornillo Allen M5x16 Ø11 ISO 7380	M5x16 Ø11 ISO 7380 Allen screw	2	TORNI-I7380-493
22		Tornillo Allen M5x30 Ø11 ISO 7380	M5x30 Ø11 ISO 7380 Allen screw	1	TORNI-I7380-767
23		Arandela de Nylon M5x1	M5x1 nylon washer	1	ARNV0000000245
24		Tornillo M3x8 ISO7380 (Negro)	M3x8 ISO7380 Screw (Black)	1	TORNI-I7380-883
25		Tuerca M3 DIN985	M3 DIN 985 Nut	1	TUERCA-D985-883

KTM 790 ADVENTURE '19- / R '19- / 890 ADVENTURE '21-

INSTRUCCIONES DE MONTAJE - MOUNTING INSTRUCTIONS - MONTAGEANLEITUNG

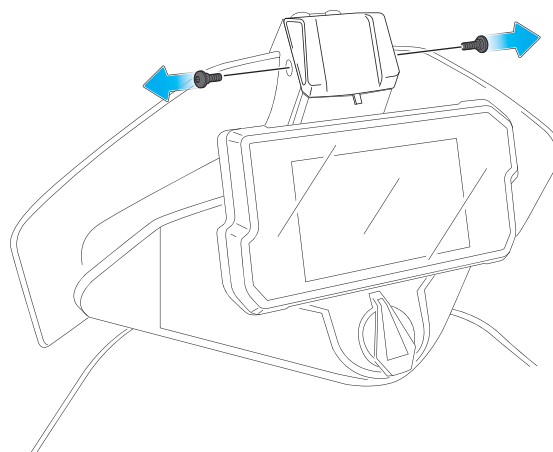
1

DISASSEMBLY
DESMONTAJE



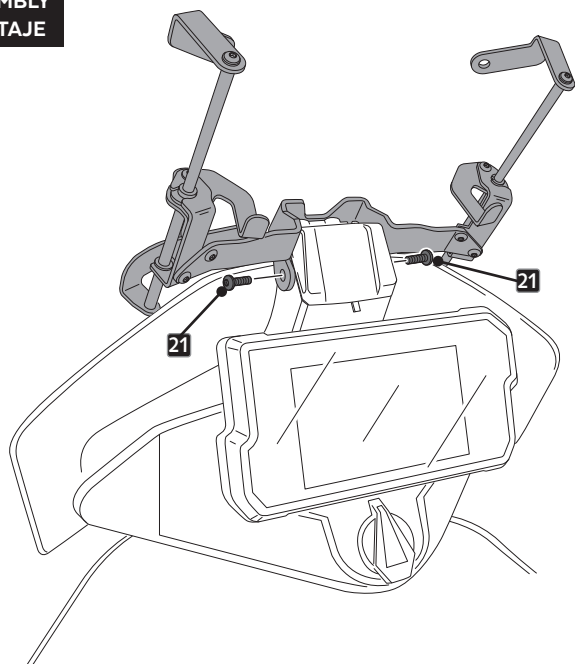
2

DISASSEMBLY
DESMONTAJE



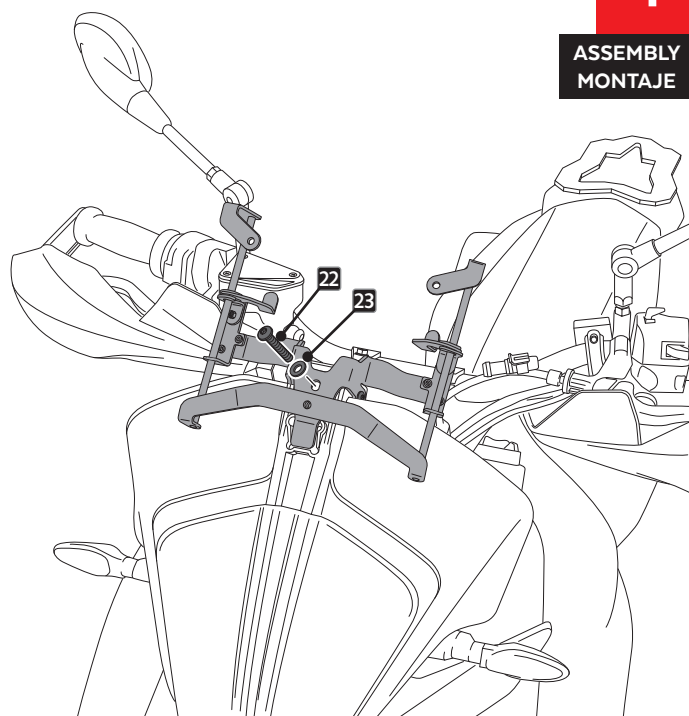
3

ASSEMBLY
MONTAJE



4

ASSEMBLY
MONTAJE

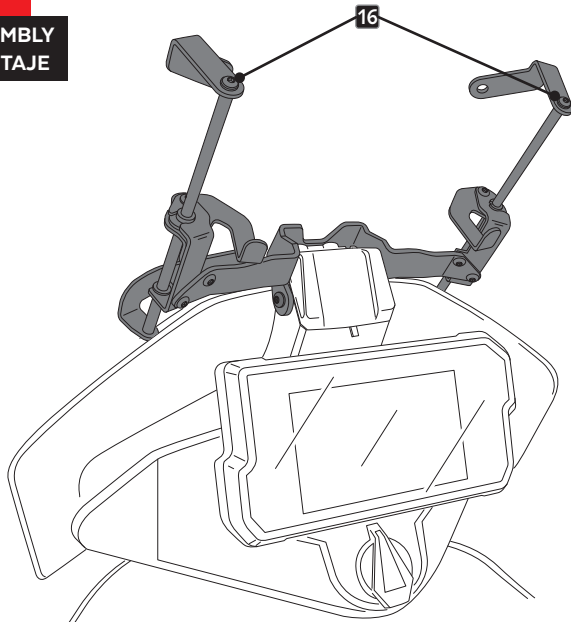


KTM 790 ADVENTURE '19- / R '19- / 890 ADVENTURE '21-

INSTRUCCIONES DE MONTAJE - MOUNTING INSTRUCTIONS - MONTAGEANLEITUNG

5

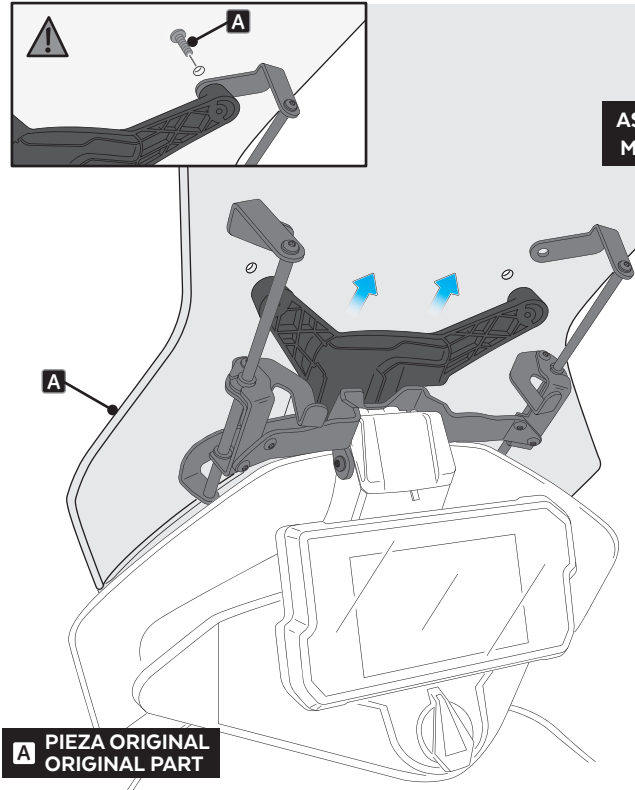
ASSEMBLY
MONTAJE



ID-16 AFLOJAR LOS TORNILLOS
LOOSEN SCREWS

6

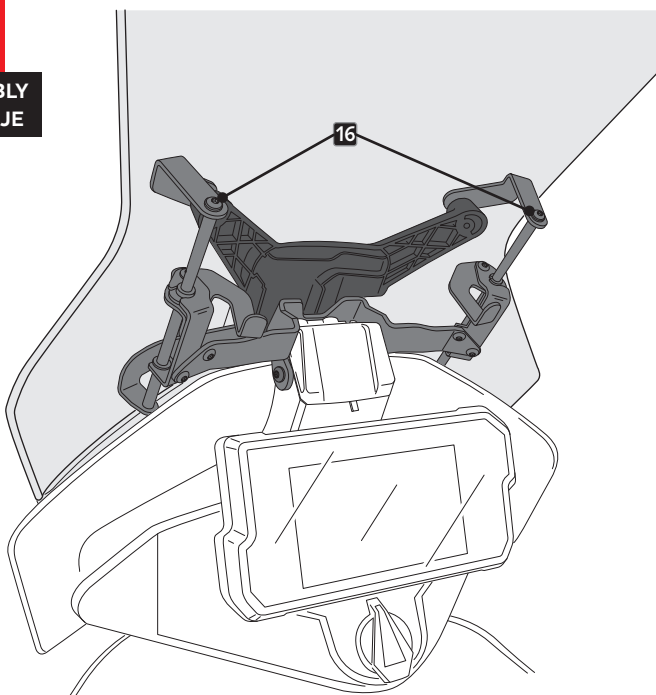
ASSEMBLY
MONTAJE



A PIEZA ORIGINAL
ORIGINAL PART

7

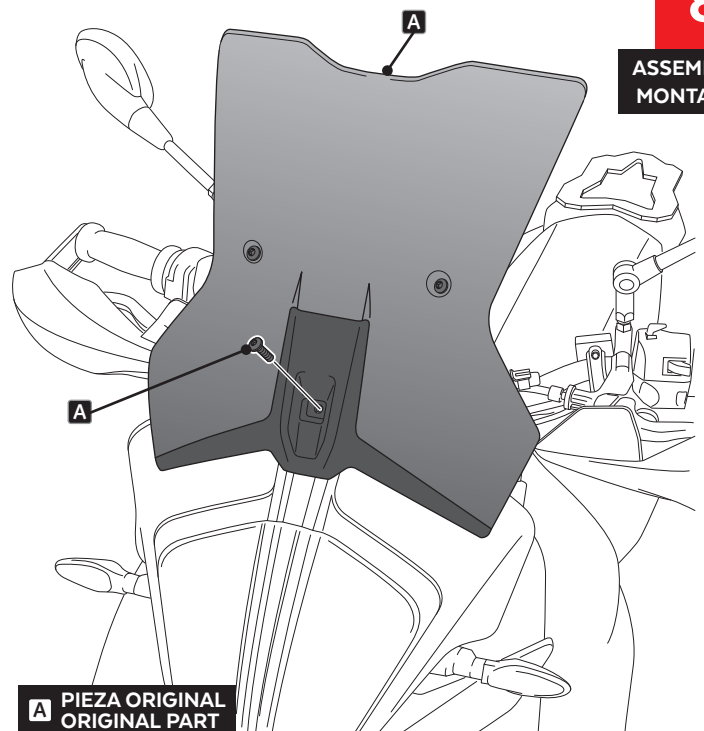
ASSEMBLY
MONTAJE



ID-16 APRETAR LOS TORNILLOS
TIGHTEN SCREWS

8

ASSEMBLY
MONTAJE



A PIEZA ORIGINAL
ORIGINAL PART

KTM 790 ADVENTURE '19- / R '19- / 890 ADVENTURE '21-

EXPLOTING

